

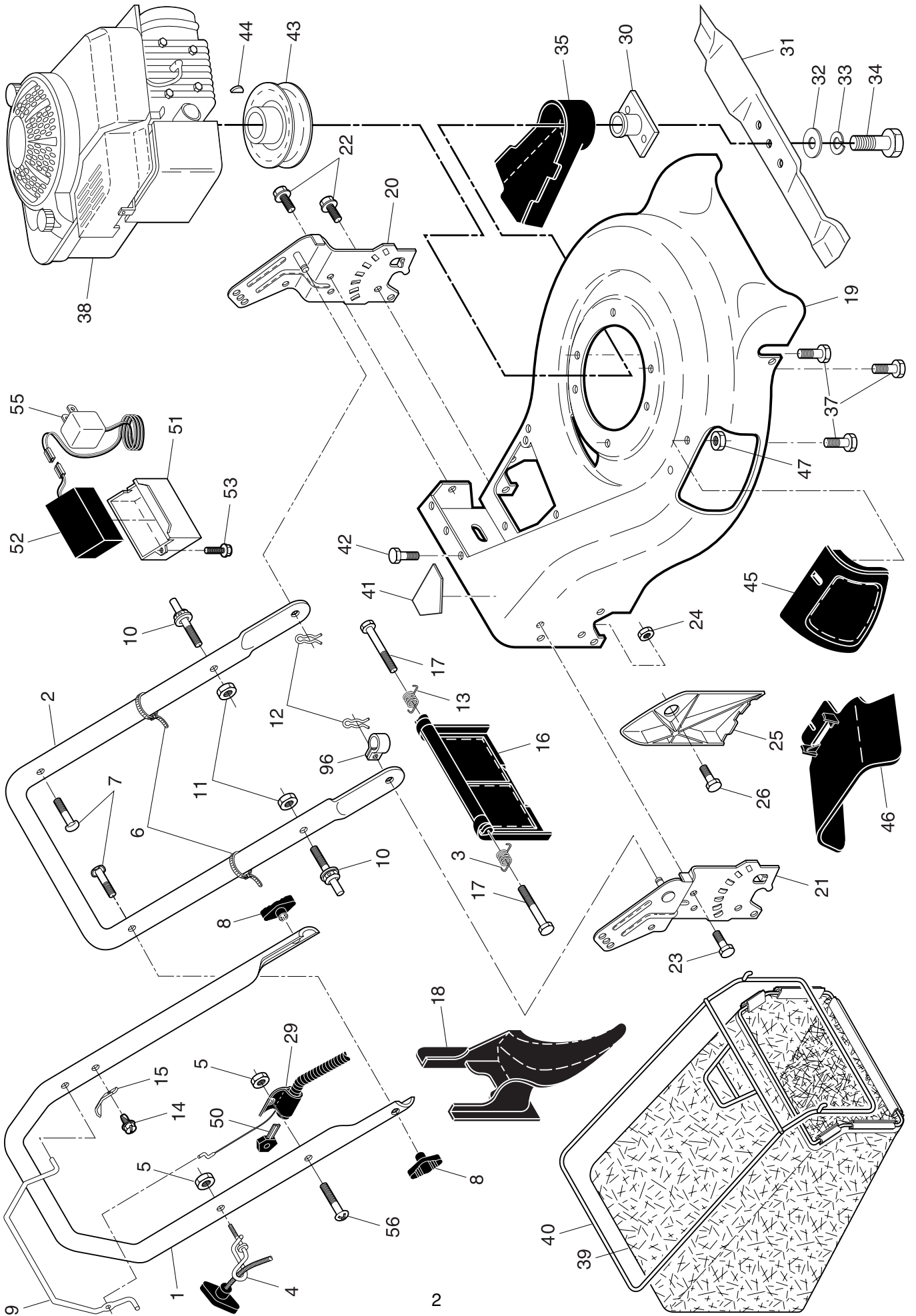
ILLUSTRATED PARTS LIST

MODEL NUMBER P553CME

PRODUCT NUMBER 961 41 01-14

MFG. ID. NUMBER 96141011401

ROTARY LAWN MOWER - - MODEL NUMBER P553CME (96141011401) PRODUCT NUMBER 961 41 01-14



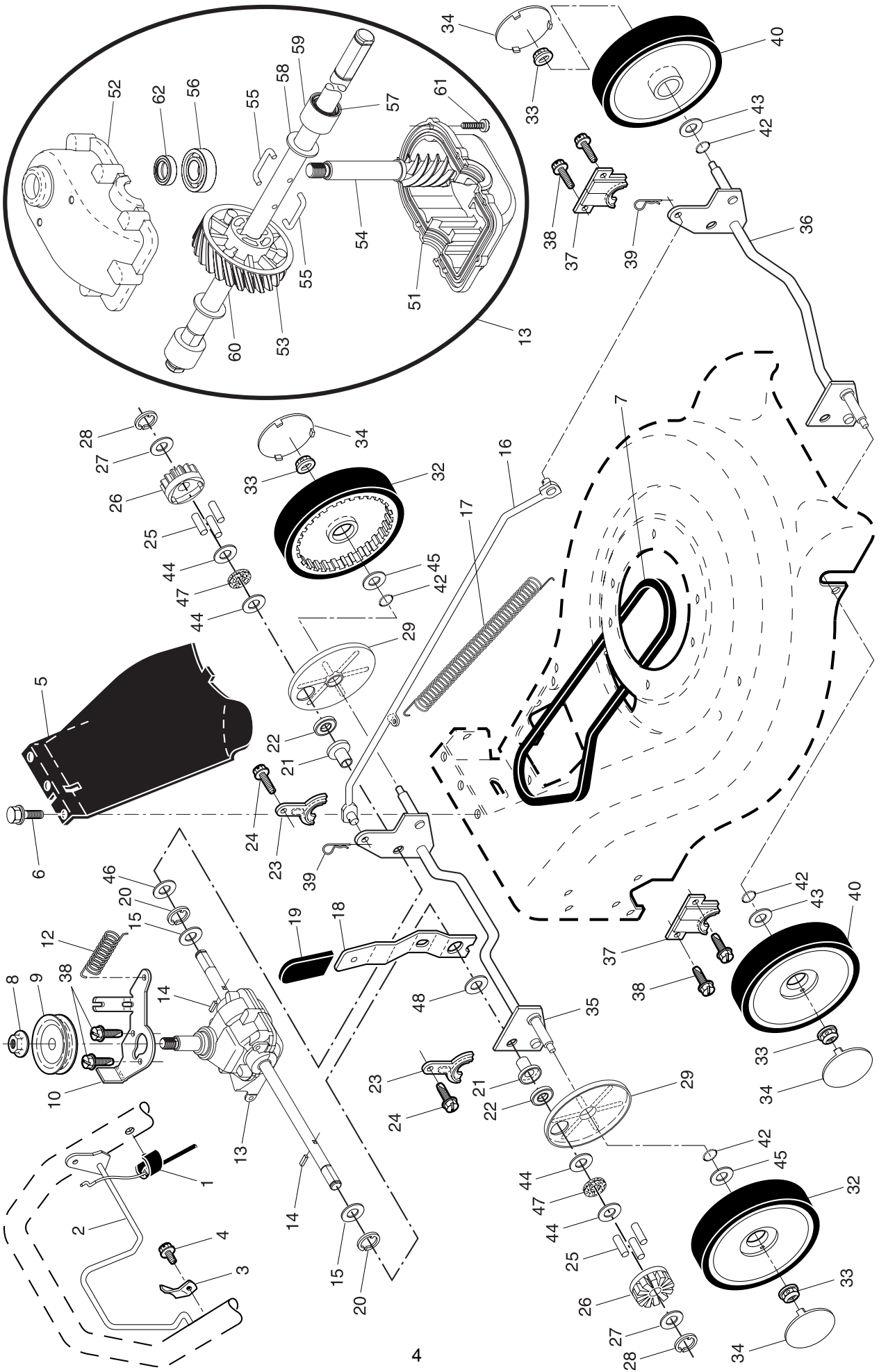
ROTARY LAWN MOWER - - MODEL NUMBER P553CME (96141011401) PRODUCT NUMBER 961 41 01-14

KEY NO.	PART NO.	DESCRIPTION	KEY NO.	PART NO.	DESCRIPTION
1	532 17 80-67	Handle, Upper, Deluxe Comfort	31	532 19 93-77	Blade, 21"
2	532 19 60-05	Handle, Lower	32	532 85 10-74	Washer, Hardened
3	532 18 60-53	Spring, Rear Door, RH	33	532 85 02-63	Lockwasher, Helical Spring 3/8
4	532 19 47-88	Guide, Rope, Side	34	532 85 10-84	Screw, Hex Head 3/8-24 x 1.38
5	532 13 20-04	Nut, Hex, with Lockwasher Insert 1/4-20	35	532 18 91-85	Shield, Debris
6	532 06 64-26	Wire, Tie	37	532 15 04-06	Bolt, Engine
7	532 19 15-74	Bolt, Handle 5/16-18 x 1.75	38	- - -	Engine, Briggs & Stratton, Model No. 12F805
8	532 19 19-38	Knob, Handle			(Order parts from engine manufacturer)
9	532 19 18-19	Bail, Control, Wire, Deluxe Comfort, Black	39	532 19 49-68	Bag, Grass Catcher
10	532 18 88-21	Bolt, Carriage	40	532 19 46-44	Frame, Grass Bag
11	873 93 05-00	Nut, Hex, with Lockwasher Insert 5/16-18 UNC	41	532 18 21-66	Decal Danger
12	532 05 17-93	Cotter, Hairpin	42	532 05 45-83	Screw, Self Tapping
13	532 18 60-52	Spring, Rear Door, LH	43	532 18 49-41	Pulley, Engine
14	532 12 51-62	Bracket, Upstop	44	532 18 77-23	Key, Hi-Pro
15	532 75 06-34	Screw, Tapping, Hex Washer Head #10-24	45	532 19 13-41	Mulcher Door
16	532 19 05-74	Rear Door Assembly	46	532 19 12-10	Discharge Deflector
17	532 18 41-93	Bolt, Rear Door	47	532 08 83-49	Nut, Hex
18	532 19 81-70	Plug, Mulcher	50	532 18 03-31	Key (set of 2)
19	532 19 49-70	Kit, Lawn Mower Housing Assembly	51	532 19 34-76	Box, Battery
20	532 19 40-29	Handle Bracket Assembly, LH	52	532 18 95-89	Battery
21	532 19 40-31	Handle Bracket Assembly, RH	53	817 41 13-18	Screw, Hex Washer Head #13 x .75
22	532 15 00-78	Screw, Hex Washer Head	55	532 19 24-36	Charger, Battery
23	532 16 31-83	Bolt, Hex Head 5/16-18 x 5/8	56	532 18 61-59	Screw
24	873 80 05-00	Nut, Hex, with Lockwasher Insert 5/16-18	96	532 19 79-91	Clip, Cable
25	532 16 13-33	Baffle, Side	- -	532 18 21-34	Warning Decal (not shown)
26	532 16 34-09	Screw #12 x 5/8	- -	532 40 25-39	Operator's Manual, European
29	532 19 49-53	Key Start Switch (Includes 2 Keys)	- -	532 40 25-40	Operator's Manual, Scandinavian
30	532 19 37-07	Adapter, Blade	- -	532 40 25-41	Operator's Manual, East Bloc
			- -	532 40 25-42	Operator's Manual, Baltic

NOTE: All component dimensions given in U.S. inches. 1 inch = 25.4 mm

IMPORTANT: Use only Original Equipment Manufacturer (O.E.M.) replacement parts. Failure to do so could be hazardous, damage your lawn mower and void your warranty.

ROTARY LAWN MOWER -- MODEL NUMBER P553CME (96141011401) PRODUCT NUMBER 961 41 01-14



ROTARY LAWN MOWER - - MODEL NUMBER P553CME (96141011401) PRODUCT NUMBER 961 41 01-14

KEY NO.	PART NO.	DESCRIPTION	KEY NO.	PART NO.	DESCRIPTION
1	532 18 76-26	Cable, Drive	32	532 18 80-42	Wheel & Tire Assembly, Rear, Driven 9 x 2
2	532 16 14-73	Bail, Control, Drive	33	532 08 39-23	Nut, Hex, Flangelock
3	532 16 45-57	Bracket, Downstop	34	532 18 63-06	Hubcap
4	532 75 06-34	Screw, Tapping, Hex Washer Head #10-24	35	532 19 60-16	Shaft Assembly, Rear
5	532 40 28-07	Cover, Drive	36	532 19 60-15	Shaft Assembly, Front
6	532 75 06-34	Screw, Threaded, Rolled #10-25 x .50	37	532 16 14-63	Retainer, Front Shaft
7	532 16 08-16	V-Belt	38	532 16 34-09	Screw #12 x 5/8
8	532 13 20-10	Nut, Hex, Flangelock, Zinc Plated 3/8-16	39	532 70 02-79	Clip, Retainer
9	532 16 39-39	Pulley, Driven	40	532 15 03-48	Wheel & Tire Assembly, Front 8 x 2
10	532 16 45-53	Belt Keeper	42	532 18 81-52	O-Ring
12	532 18 76-27	Spring	43	532 08 83-48	Washer, Flat 3/8
13	532 18 82-95	Gearcase Assembly, Complete	44	532 06 23-35	Belleville Washer 1/2
14	532 14 53-54	Pin, Spring, Thrust	45	532 06 77-25	Washer 1/2 x 1-1/2 x .134
15	532 05 70-79	Washer, Hardened	46	819 57 22-16	Washer
16	532 16 15-84	Rod, Connecting	47	532 08 81-18	Felt Washer
17	532 16 16-02	Spring, Extension	48	532 85 12-26	Washer
18	532 19 61-62	Spring, Selector	51	532 18 75-30	Case, Lower
19	532 19 00-69	Knob, Selector Spring	52	532 19 12-45	Case, Upper
20	812 00 00-22	E-Ring 7/8	53	532 18 75-32	Gear, 24 Teeth
21	532 16 33-65	Bearing Support	54	532 18 75-33	Shaft, Worm
22	532 16 99-11	Bearing, Ball	55	532 18 35-05	Wireform
23	532 16 45-55	Retainer, Drive Assembly	56	532 18 35-06	Bearing, Ball
24	532 05 78-08	Screw, Tapping, Hex Head 1/4-20 x .75	57	532 18 35-08	Seal, Output Shaft
25	532 17 00-11	Drive Pawl	58	532 18 35-09	Washer
26	532 16 64-50	Pinion, Drive	59	532 18 35-11	Bushing
27	532 05 21-60	Washer, Shim (as required)	60	532 19 12-48	Shaft, Output
28	812 00 00-58	E-Ring 7/16	61	532 18 35-13	Screw
29	532 18 94-03	Cover, Dust, Wheel	62	532 18 35-14	Seal, Worm Shaft

NOTE: All component dimensions given in U.S. inches. 1 inch = 25.4 mm

IMPORTANT: Use only Original Equipment Manufacturer (O.E.M.) replacement parts. Failure to do so could be hazardous, damage your lawn mower and void your warranty.